

Ref: **INS/L-5389/2019-2020(Y)**

Date : 23/08/2019

**ENQUIRY**

Dear Sirs,  
Please let us have your lowest Quotation for the following :

Sl.No	Cat.No	Item Description	Make/Model	Item Qty	UOM
1		4 Seater Dining Table-L-850xw-850xh-750mm Supply and Placing dining tables using Ms powder coated frame work for base support for the table of 25mm thick MDF board with post formed membrane finish of approved shade Completed with adjustable leveller at the base	-	10.00	Nos.
2		6 Seater Dining Table-L-1500xw-850xh-750mm Supply and Placing dining tables using Ms powder coated frame work for base support for the table of 25mm thick MDF board with post formed membrane finish of approved shade Completed with adjustable leveller at the base	-	19.00	Nos.
3		4 Seater Circular Granite Table-Dia 900xh-750mm Supply and Placing Granite tables using Ms powder coated frame work for Arch or tripod base support. Completed with adjustable Leveller at the base. Granite should be 19mm machine cut polished coloured of approved shade, with Mirror polishing on all edges and top end with softened edges, with drip mould at the bottom, Complete with adjustable leveller.	-	4.00	Nos.
4		6 Seater Granite Top Table-L-1500xw-850xh-750mm Supply and Placing Granite tables using Ms powder coated frame work completed with adjustable Leveller at the base. Granite should be 19mm machine cut polished coloured of approved shade, with Mirror polishing on all edges and top end with softened edges, with drip mould at the bottom, Complete with adjustable leveller.	-	3.00	Nos.
5		2 Seater Granite Top Table-600x600x750h Supply and Placing Granite tables using Ms powder coated frame work completed with adjustable Leveller at the base. Granite should be 19mm machine cut polished coloured of approved shade, with Mirror polishing on all edges and top end with softened edges, with drip mould at the bottom, Complete with adjustable leveller.	-	5.00	Nos.
6		6 Seater Circular Table 1200mmx750h Supply and Placing dining tables using Ms powder coated frame work for base support for the table of 25mm thick MDF board with frame work for Arch or tripod base support finish of approved shade Completed with adjustable leveller at the base	-	1.00	Nos.



Agency should provide detail drawings with specifications along with quote. Above job includes  
Supply and Installation at site.

Ref: **INS/L-5389/2019-2020(Y)**

Date : 23/08/2019

**Remarks :** The Price quoted against this RFQ should be extended to Bangalore Life Science Cluster (BLiSc) of NCBS, InStem and C-CAMP for placing repeat order as per norms, by any one or all institutes of Bangalore Life Science Cluster (BLiSc)

**Note :** If the items as per specifications in our P.O. is not supplied (shipped) within the specified delivery schedule, then liquidated damages (not in terms of penalty) will be imposed automatically and shall be deducted from the bill at the rate of 0.5% per week subject to a maximum of 10% of the order value.

1. The bids shall be enclosed in an envelope , and due date sealed duly marked "Tender for \_\_\_\_\_" Ref No : \_\_\_\_\_. The bids should be addressed and to be mailed to "**THE HEAD-PURCHASE**". The bids are liable to be rejected if the sealed envelope is not addressed to "**THE HEAD-PURCHASE**" with Tender Ref No and Item Description and due date. The bids delivered in person shall be dropped in Purchase Section. If the bids are sent through courier or mail , it should reach by submission Date and Time and inStem will not be responsible for the delay.

**2. DUE DATE FOR SUBMISSION OF QUOTATION AGAINST THIS ENQUIRY IS**  
**09/09/2019 till 2.00 p.m.**

3. QUOTATIONS RECEIVED AFTER THE DUE DATE SHALL BE REJECTED.

4. The Validity of your quotation should be for 60 days from the date.

5. All duties, taxes, surcharge and cess as currently applicable must be stated in your quotation, separately. Otherwise your quote is liable to be rejected.

6. Your quotation should indicate delivery period & Warranty period.

7. Delivery to be made to our Stores. Please indicate charges, if any extra. Transit Insurance should be done upto inStem Stores.

8. If you are unable to supply the quality, specifications or brand as mentioned in our enquiry, Please state so and then offer alternative to quality/Specifications.

9. Payment : within one month after delivery & acceptance/satisfactory installation.

10. Please ensure that the enquiry number and the due date is superscribed on the envelope failing which your quotation is liable to be rejected.

11. Since we are a public funded research institution, we are exempted from paying Customs Duty (Except ad valorem duty of 5% + 2% cess and CVD @4% vide Notification No.51/96 with latest amendments) and excise duty vide Notification No.10/97 CENTRAL EXCISE dated 01-03-1997 for all scientific equipments, technical instruments, equipments (including computers), their accessories, spares, consumables and software. Hence, please offer your prices taking this option into consideration.



**Institute For Stem Cell Biology and Regenerative Medicine**

Autonomous institute of the Department of Biotechnology, Government Of India



Ref: **INS/L-5389/2019-2020(Y)**

Date : 23/08/2019

**12.If the item is covered under DGS&D rate contract,please quote the rate as per the DGS&D rate contract with xerox copy of the DGS&D order.**

13.Any dispute or differences that may arise between the parties shall be referred to the sole arbitration of the Centre Director or his nominees.The decision of the arbitrator shall be final and binding on the parties.The venue for arbitration shall be Bangalore.The provisions of the Arbitration and Concillation Act,1996 as amended from time to time shall apply.The Courts in Bangalore shall have exclusive jurisdiction to deal with any or all disputes between the parties.

Yours faithfully

For and on behalf of Insitute For Stem Cell  
Biology and Regenerative Medicine

A handwritten signature in black ink, appearing to read 'Yesu R'.

Yesu R

GKVK, Bellary Road, Bangalore-560065,INDIA

Phone No. : 91-80-23666343/344/345/346

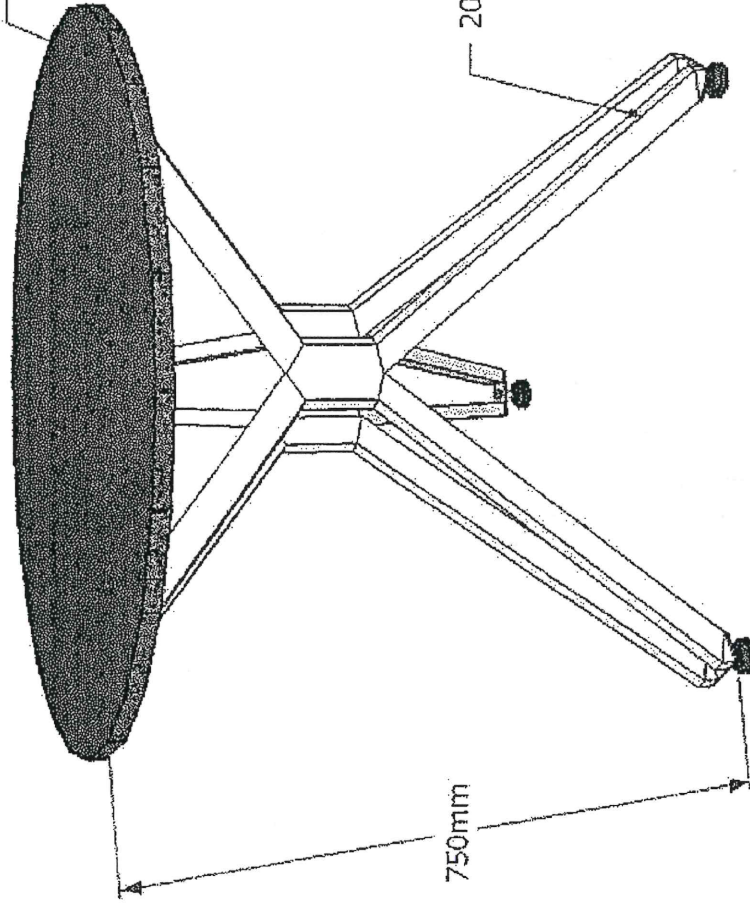
Fax : 91-80-23636662

Email Id: purchase@ncbs.res.in

Website : www.ncbs.res.in



Dia 900 X19mm Black jet Granite



750mm

20X30 Rectangular tube

M10X35mm Leveler

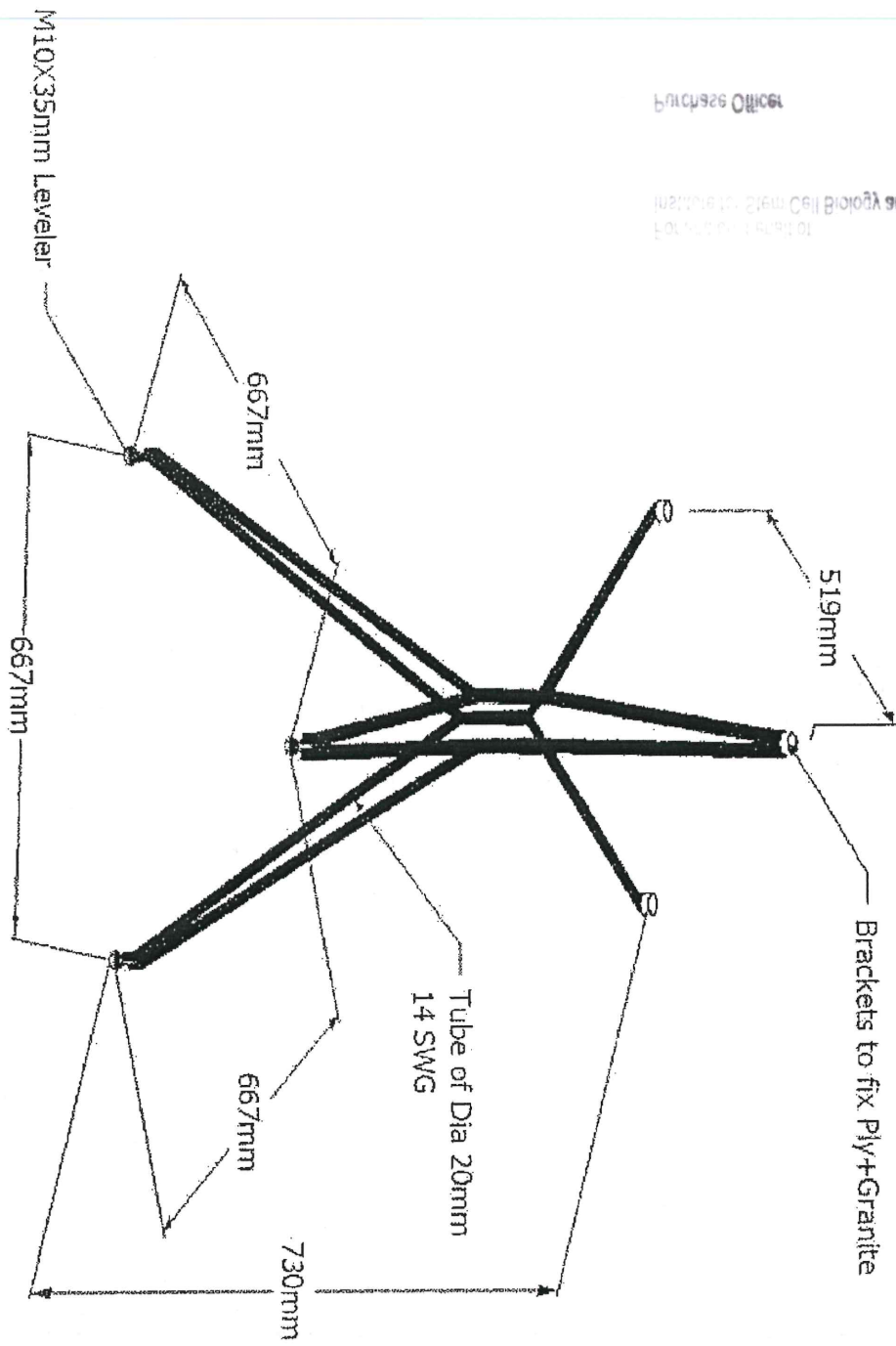
# Circular Table Dia 900mm X750mm

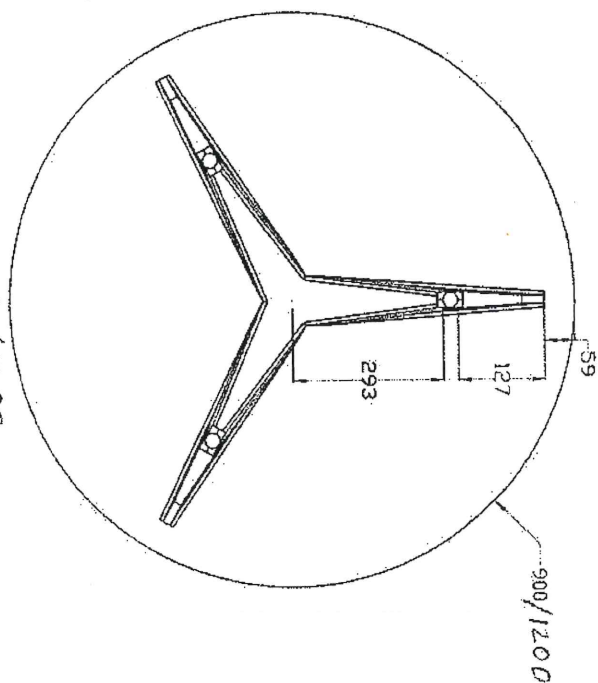
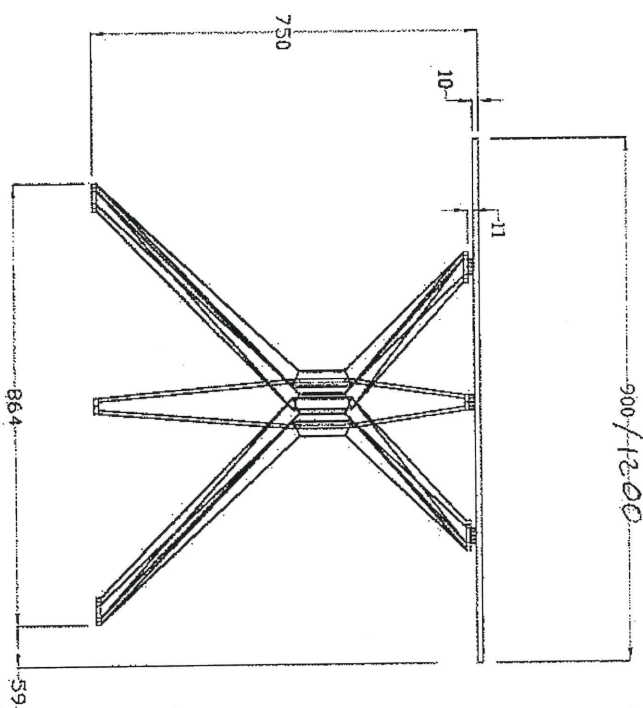
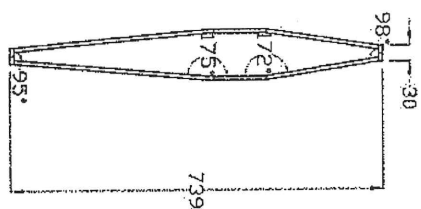
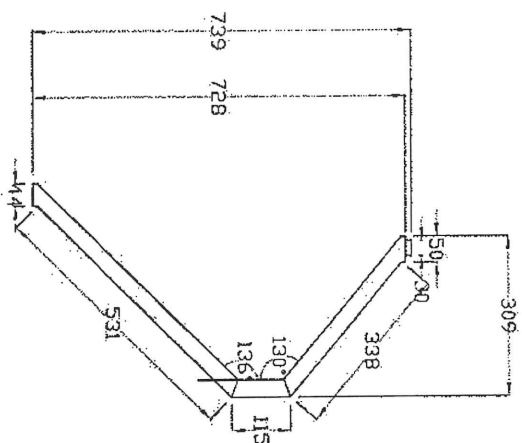
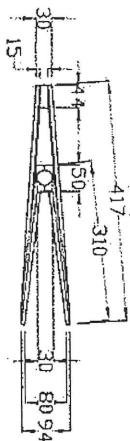


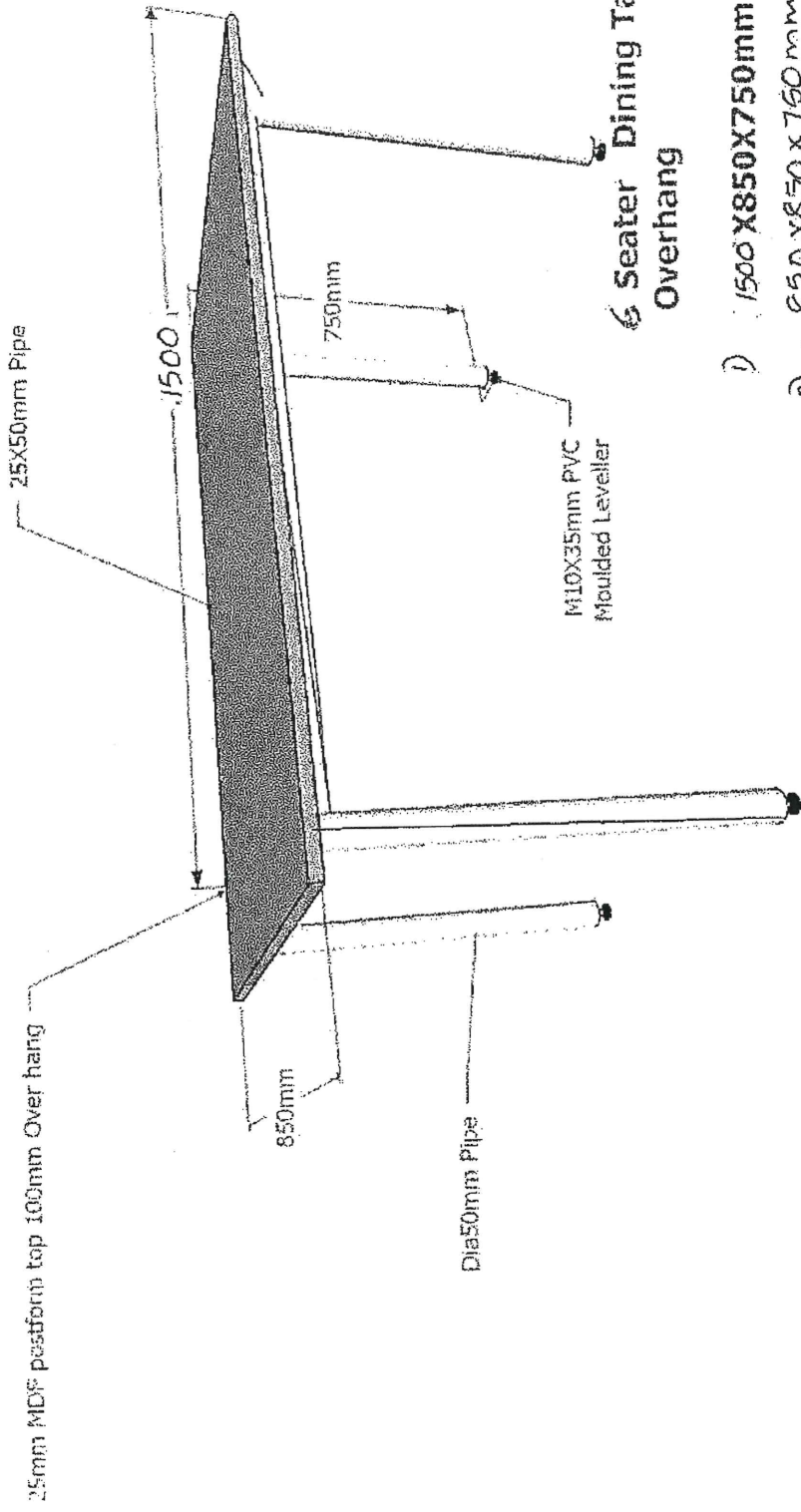


Purchase Order

Institute for Stem Cell Biology and Regenerative Medicine  
Faculty of Life Sciences

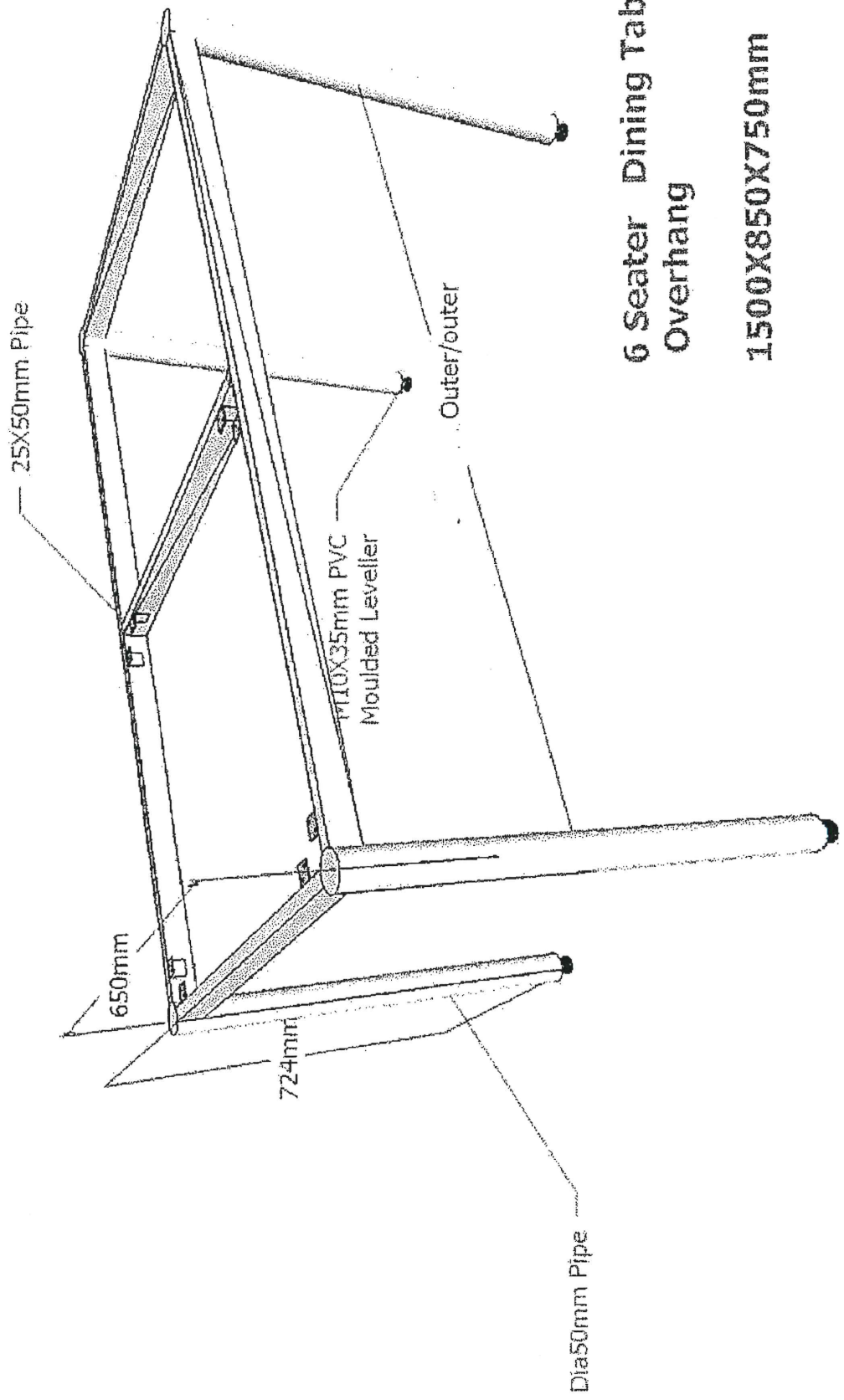






- 1) 1500 X 850 X 750mm
- 2) - 850 X 850 X 750mm - 4 seater Dining Table with 100mm overhang.





**6 Seater Dining Table with 100mm Overhang**  
**1500X850X750mm**

